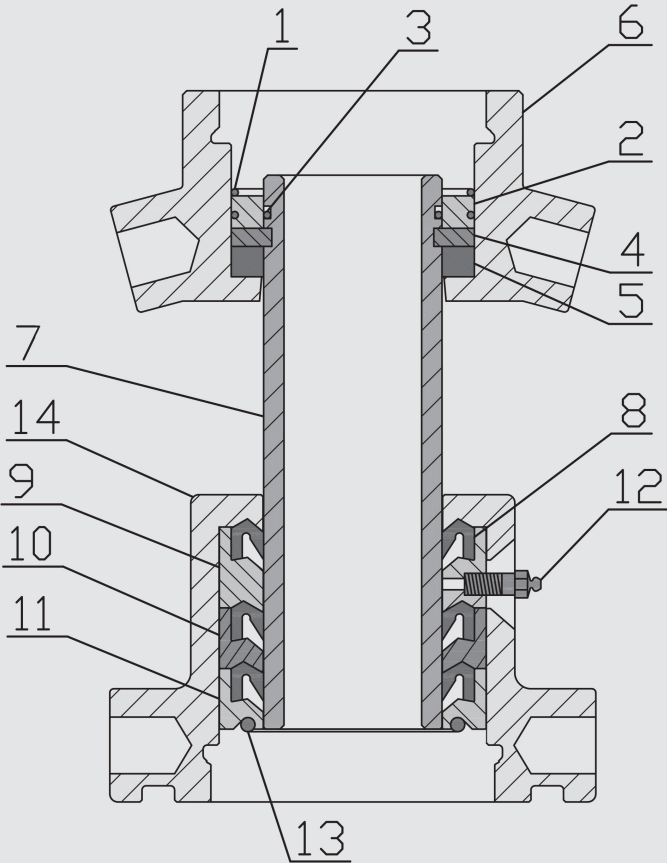
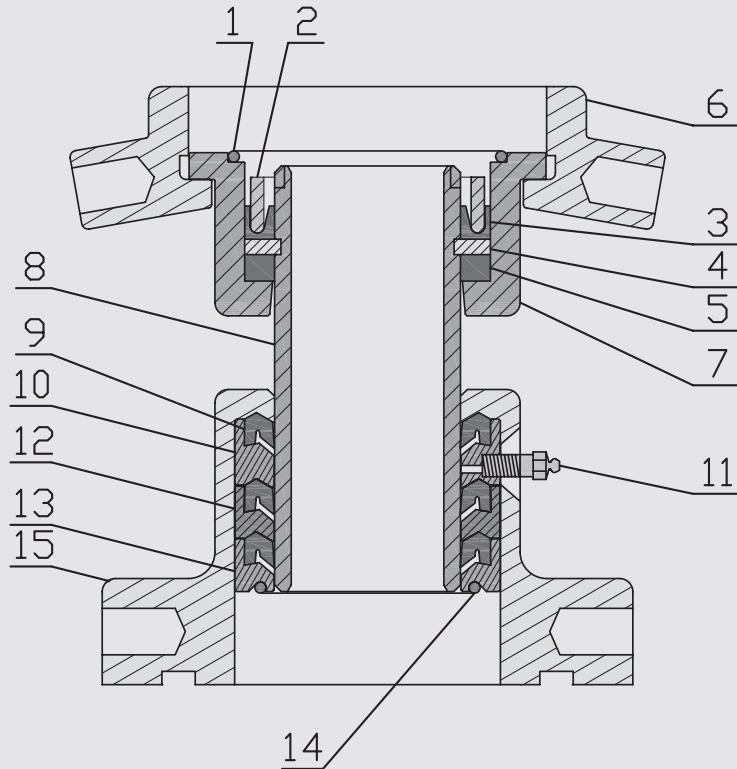


IDECO TL120



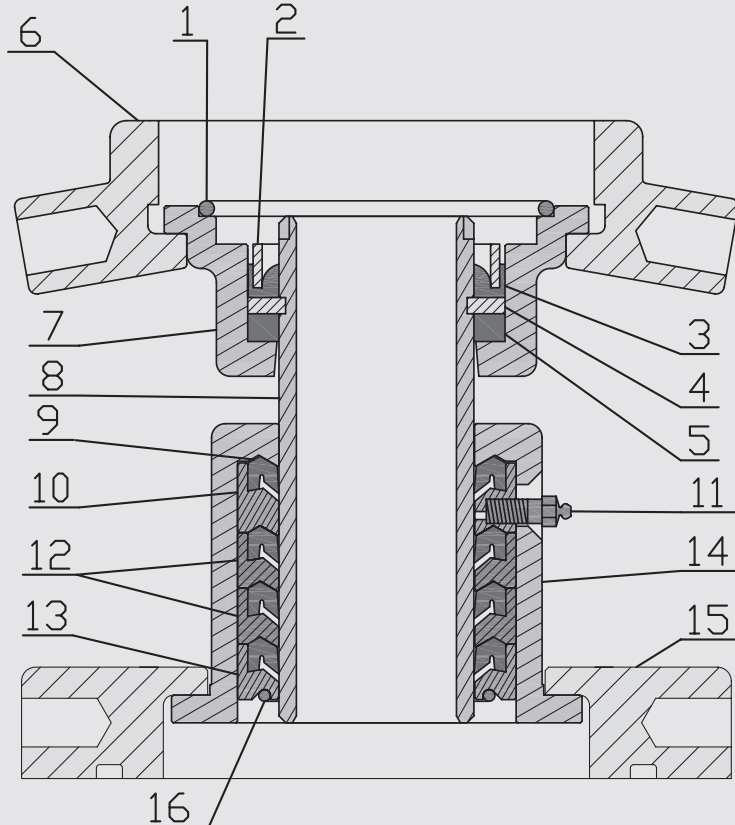
Item#	Qty	Description	TL120
	1	Upper Packing Assembly (Includes Items 1 thru 5)	SW-IP-166
1	2	O-Ring	SW-IO-531
2	1	Seal Adapter	SW-339-32
3	1	O-Ring	SW-IO-523
4	1	Retaining Ring	SW-339-DA
5	1	Fleximount Ring	SW-339-DB
6	1	Upper Cartridge	SW-559-10
7	1	Washpipe	SW-70-107-4
	1	Lower Packing Assembly (Includes Items 8 thru 13 & Grease)	SW-IP-177
8	1	Washpipe Packing (Includes 3 Packing Rings and Item 13)	SW-75-107-16
9	1	Upper Packing Spacer	SW-559-23-01
10	1	Middle Packing Spacer	SW-559-23-03
11	1	Lower Packing Spacer	SW-559-23-04
12	1	Grease Fitting	SW-IF-161
13	1	O-Ring	SW-IO-502
14	1	Lower Cartridge	SW-559-23-02
		Quick Change Cartridge Assembly (Includes Items 1 thru 14)	SW-TL120QC

IDECO TL200



Item#	Qty	Description	TL200
	1	Upper Packing Assembly (Includes Items 1 thru 5)	SW-IP-159
1	1	O-Ring	SW-IO-518
2	1	Spacer	SW-491-17
3	1	Seal Ring	SW-IP-158
4	1	Retaining Ring	SW-491-19
5	1	Fleximount Ring	SW-491-18
6	1	Upper Nut	SW-531-13
7	1	Upper Cartridge	SW-531-14-01
8	1	Washpipe	SW-70-107-12
	1	Lower Packing Assembly (Includes Items 9 thru 13 & Grease)	SW-IP-802
9	1	Washpipe Packing (Includes 3 Packing Rings and Item 14)	SW-75-107-9
10	1	Upper Packing Spacer	SW-531-23-01
11	1	Grease Fitting	SW-IF-161
12	1	Middle Packing Spacer	SW-531-23-03
13	1	Lower Packing Spacer	SW-531-23-04
14	1	O-Ring	SW-IO-516
15	1	Lower Cartridge	SW-531-23
		Quick Change Cartridge Assembly (Includes Items 1 thru 15)	SW-TL200QC

IDECO TL300/400/500



Item#	Qty	Description	TL300/500
	1	Upper Packing Assembly (Includes Items 1 thru 5)	SW-IP-162
1	1	O-Ring	SW-IO-519
2	1	Spacer	SW-491-17
3	1	Seal Ring	SW-IP-158
4	1	Retaining Ring	SW-491-19
5	1	Fleximount Ring	SW-491-18
6	1	Upper Nut	SW-491-10
7	1	Upper Cartridge	SW-491-20
8	1	Washpipe	SW-70-107-12 (TL200/400) SW-70-107-10 (TL500)
	1	Lower Packing Assembly (Includes Items 9 thru 13 & Grease)	SW-IP-801
9	1	Washpipe Packing (Includes 4 Packing Rings and Item 16)	SW-75-107-3
10	1	Upper Packing Spacer	SW-531-23-01
11	1	Grease Fitting	SW-IF-161
12	2	Middle Packing Spacer	SW-531-23-03
13	1	Lower Packing Spacer	SW-531-23-04
14	1	Lower Cartridge	SW-491-27
15	1	Lower Nut	SW-491-11
16	1	O-Ring	SW-IO-516
		Quick Change Cartridge Assembly (Includes Items 1 thru 16)	SW-TL500QC SW-TL400QC (TL300/400)